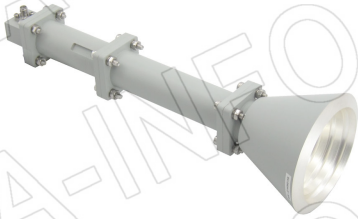


For reference only. See data sheet for the detailed specifications.

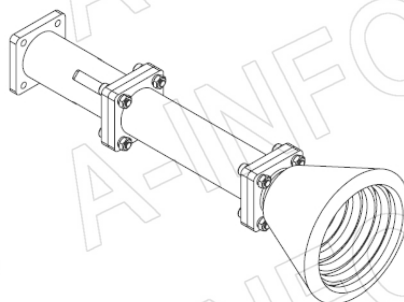
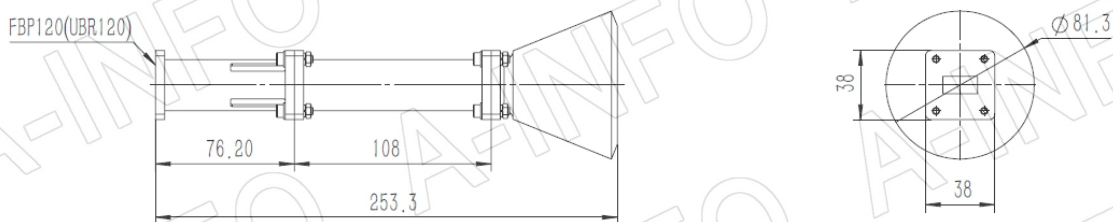
## Technical Specification



Frequency Range(GHz)	11.0 - 14.0
Waveguide	WR75
Gain(dBic)	15 Typ.
Polarization	LHCP
Axial Ratio(dB)	1.5 Typ. ; 3.0 Max.
3dB Beamwidth(deg)	E Plane: 28 Typ.
	H Plane: 28 Typ.
VSWR	A Type: 1.15:1 Typ.
	C Type: 1.30:1 Typ.
Output	A Type: FBP120(UBR120)
	C Type: SMA-Female or N-Female or TNC-Female or 7mm or 3.5mm-Female
Material	Al
Finish	Silver Plated and Chemical Conversion Coating, Gray Paint
Size(mm)	A Type: 81.3 x 81.3 x 253.3
	C Type: 81.3 x 81.3 x 283.3
Net Weight(Kg)	A Type: 0.35 Around
	C Type: 0.40 Around

## Outline Drawing (Size: mm)

FBP120 Output (P/N: LB-CH-75-15-L16-A)



**AINFO Inc.**

China(Beijing): Tel: (+86) 10-6266-7326,  
China(Chengdu): Tel: (+86) 28-8519-2786,  
USA: Tel: (+1) 949-639-9688,

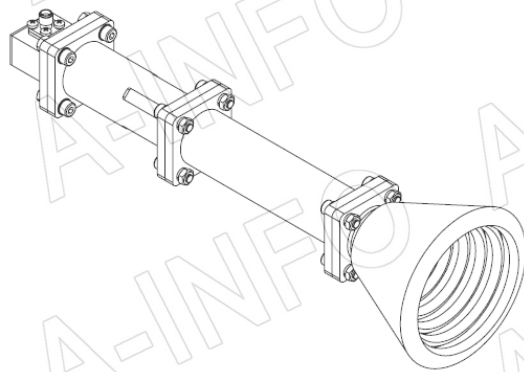
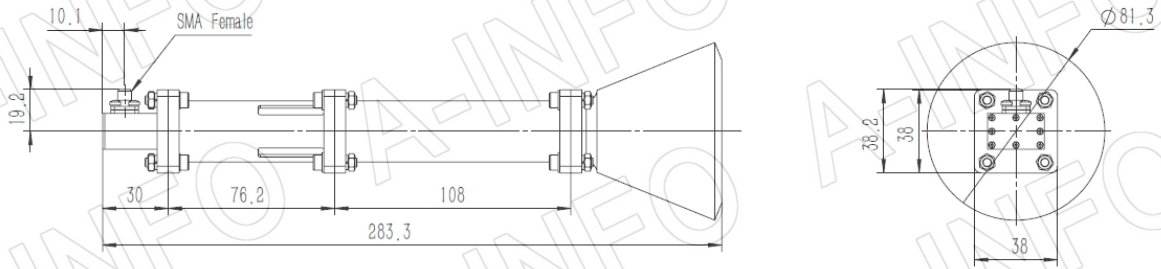
Page 1 of 8

(+86) 10-6266-7327 Fax: (+86) 10-6266-7379  
(+86) 28-8519-3044 Fax: (+86) 28-8519-3068  
(+1) 949-639-9608 Fax: (+1) 949-639-9670

Website: [www.ainfoinc.com](http://www.ainfoinc.com)  
Email: [sales@ainfoinc.com](mailto:sales@ainfoinc.com)

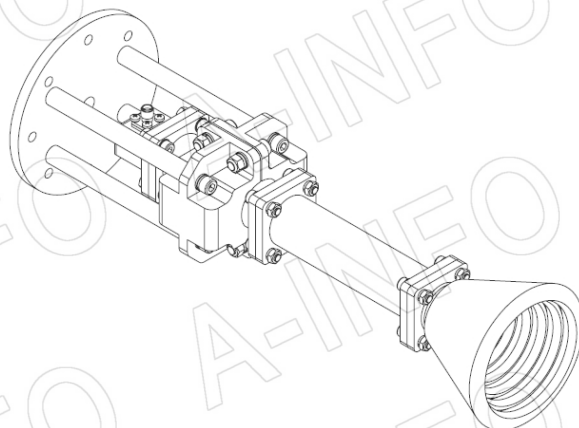
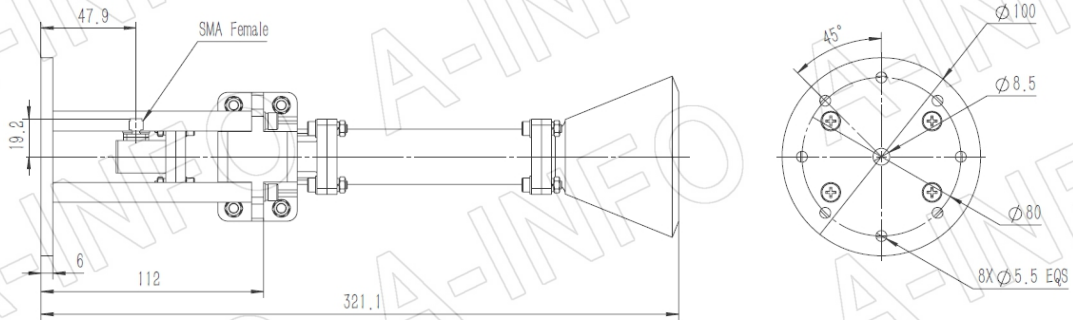
## SMA-Female Output (P/N: LB-CH-75-15-L16-C-SF)

For N-Female, TNC-Female, 7mm or 3.5mm-Female output outline drawing, please contact A-INFO.



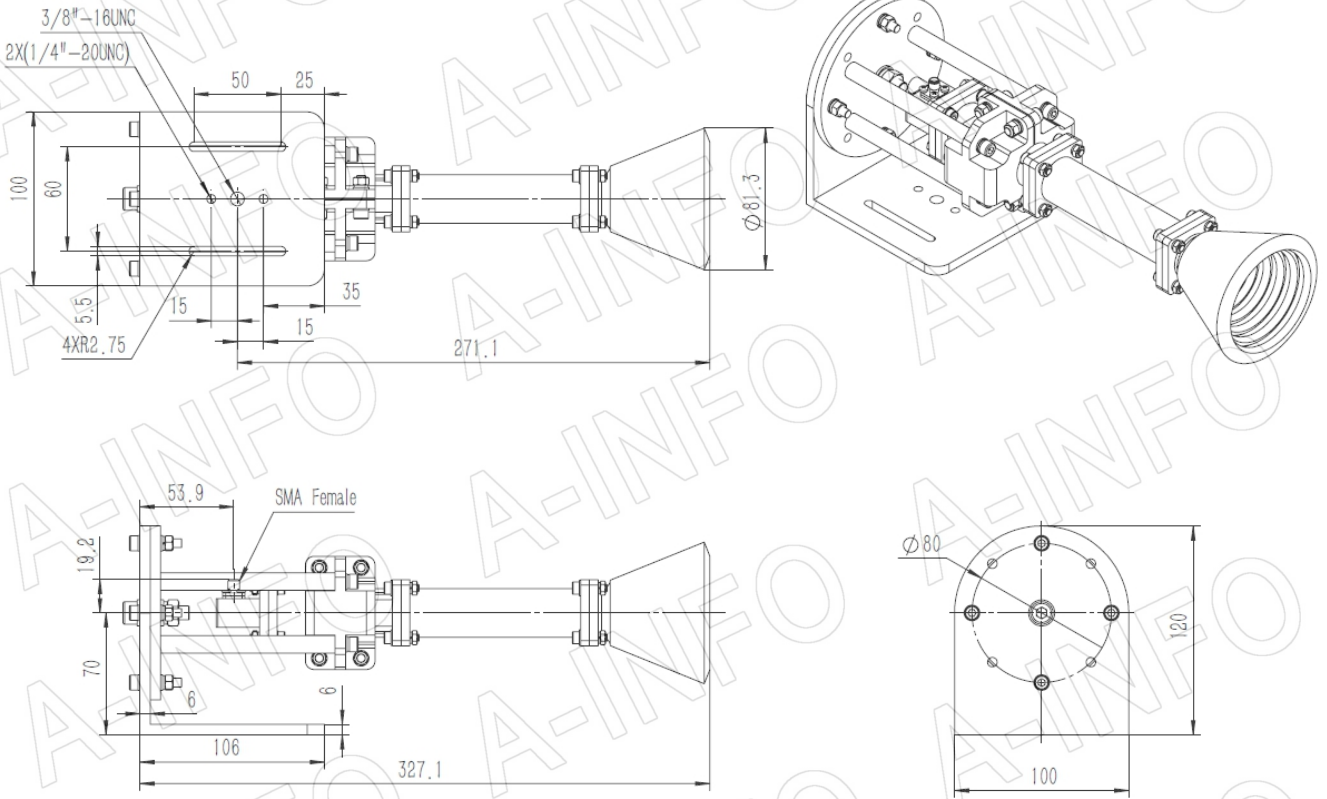
## SMA-Female Output with Round Mounting Bracket (Option, P/N: LB-CNH-75-20-MB)

For N-Female, TNC-Female, 7mm or 3.5mm-Female output outline drawing, please contact A-INFO.

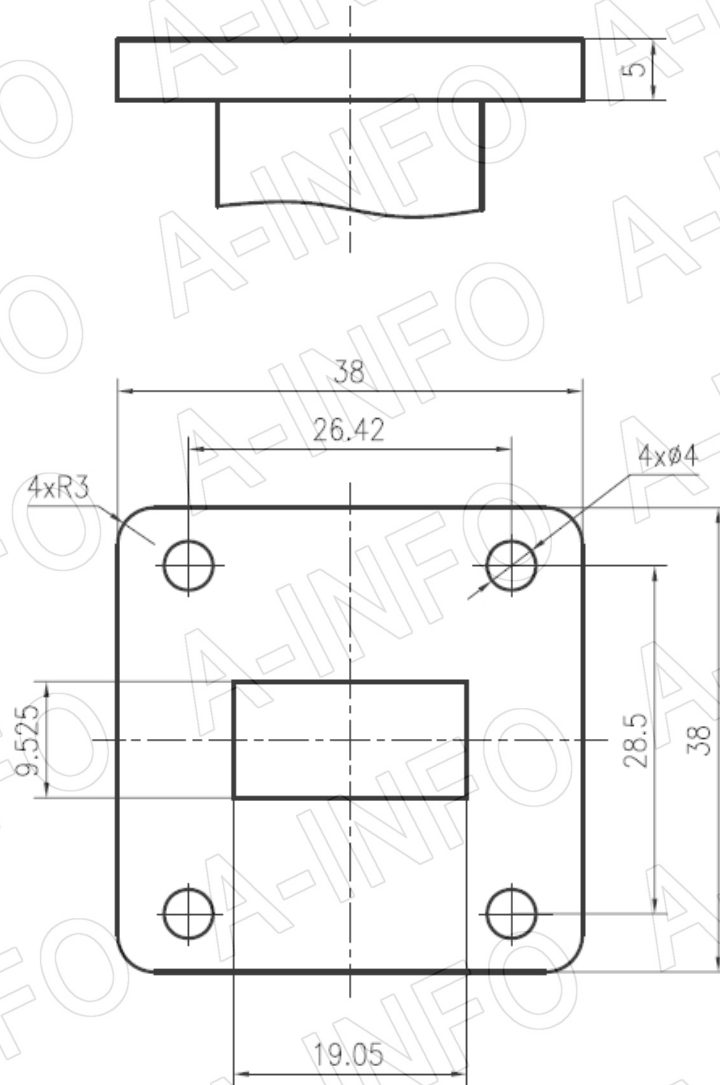


SMA-Female Output with L Type Mounting Bracket (Option, P/N: LB-CNH-75-20-MBL)

For N-Female, TNC-Female, 7mm or 3.5mm-Female output outline drawing, please contact A-INFO.



## Flange Drawing (Size: mm)



FBP120

### AINFO Inc.

China(Beijing): Tel: (+86) 10-6266-7326,  
China(Chengdu): Tel: (+86) 28-8519-2786,  
USA: Tel: (+1) 949-639-9688,

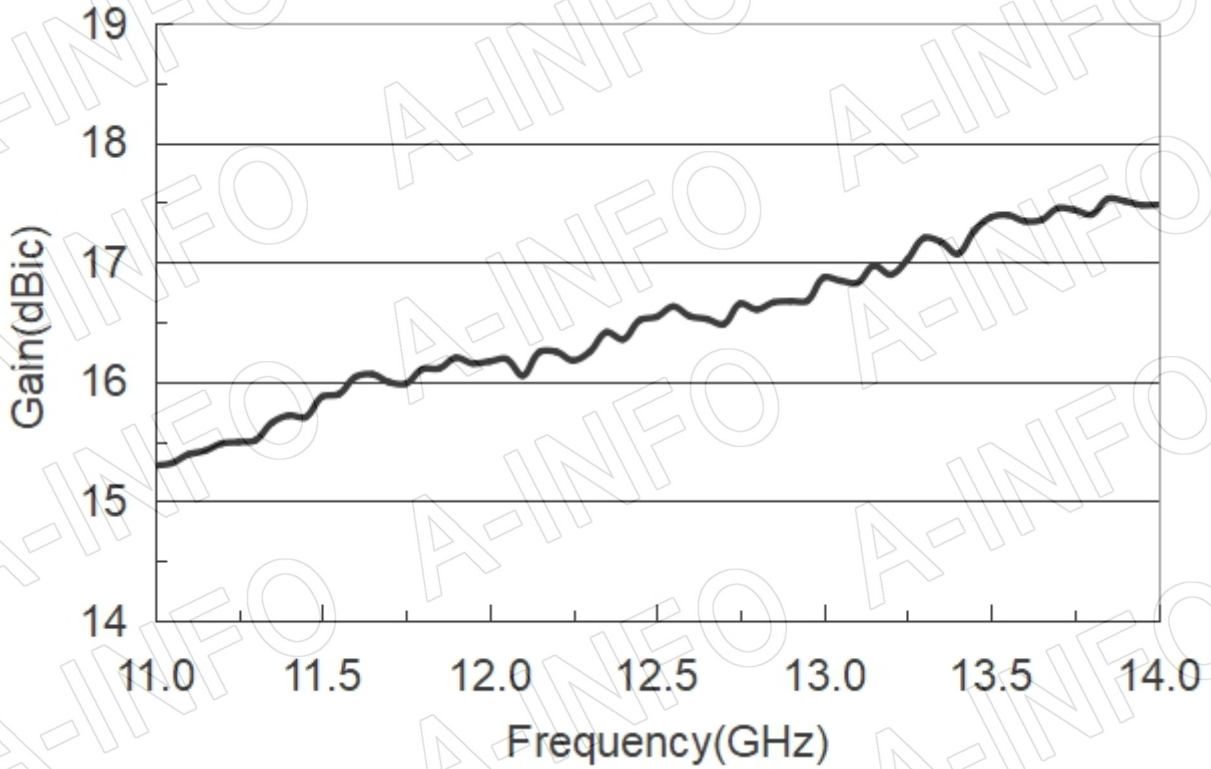
Page 4 of 8

(+86) 10-6266-7327 Fax: (+86) 10-6266-7379  
(+86) 28-8519-3044 Fax: (+86) 28-8519-3068  
(+1) 949-639-9608 Fax: (+1) 949-639-9670

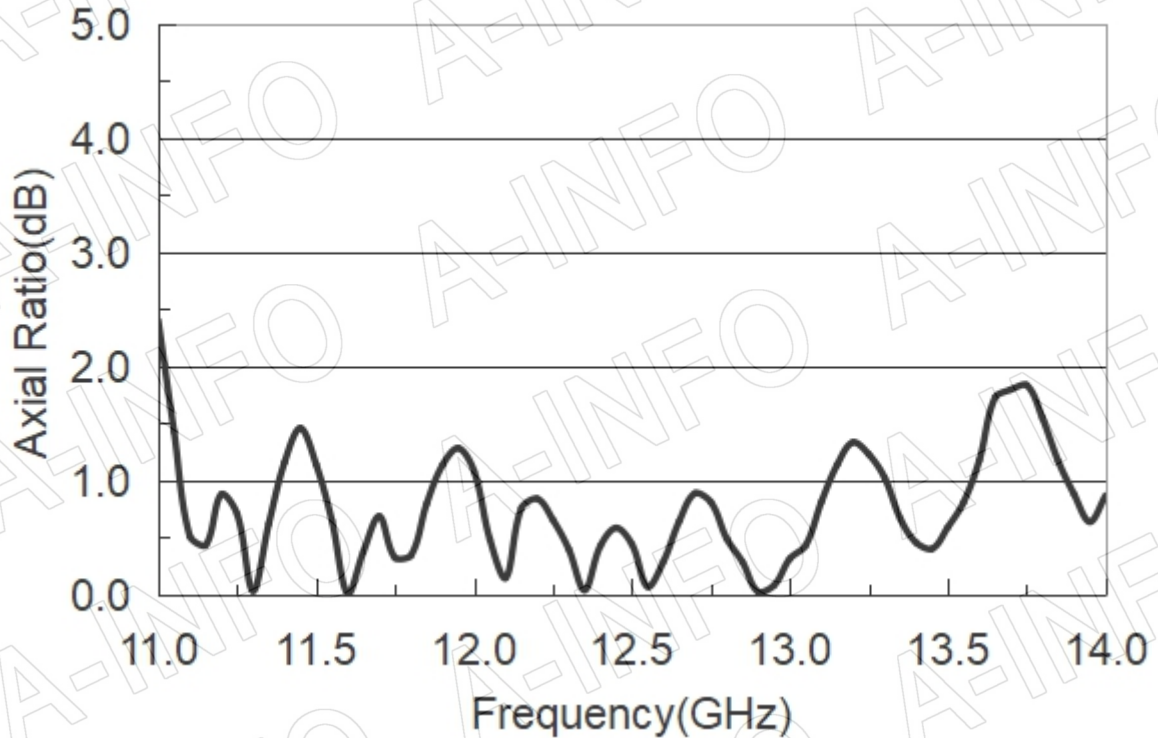
Website: [www.ainfoinc.com](http://www.ainfoinc.com)  
Email: [sales@ainfoinc.com](mailto:sales@ainfoinc.com)

## Test Results

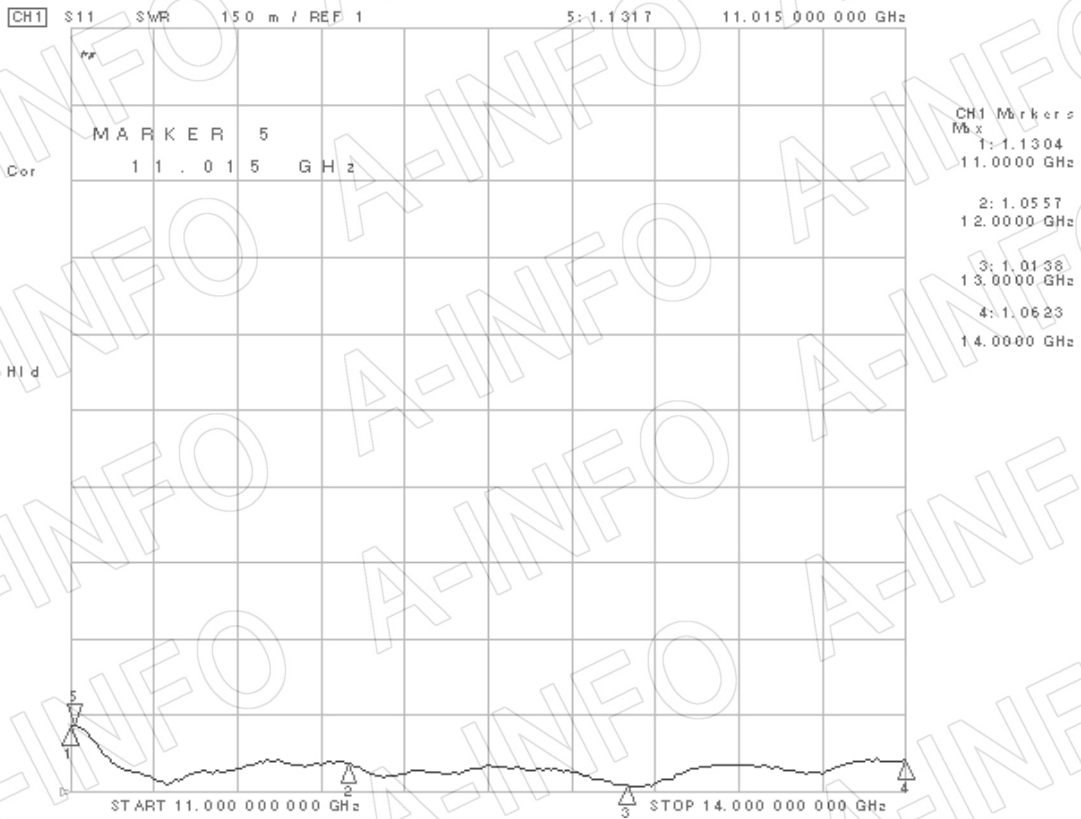
### 1. Gain



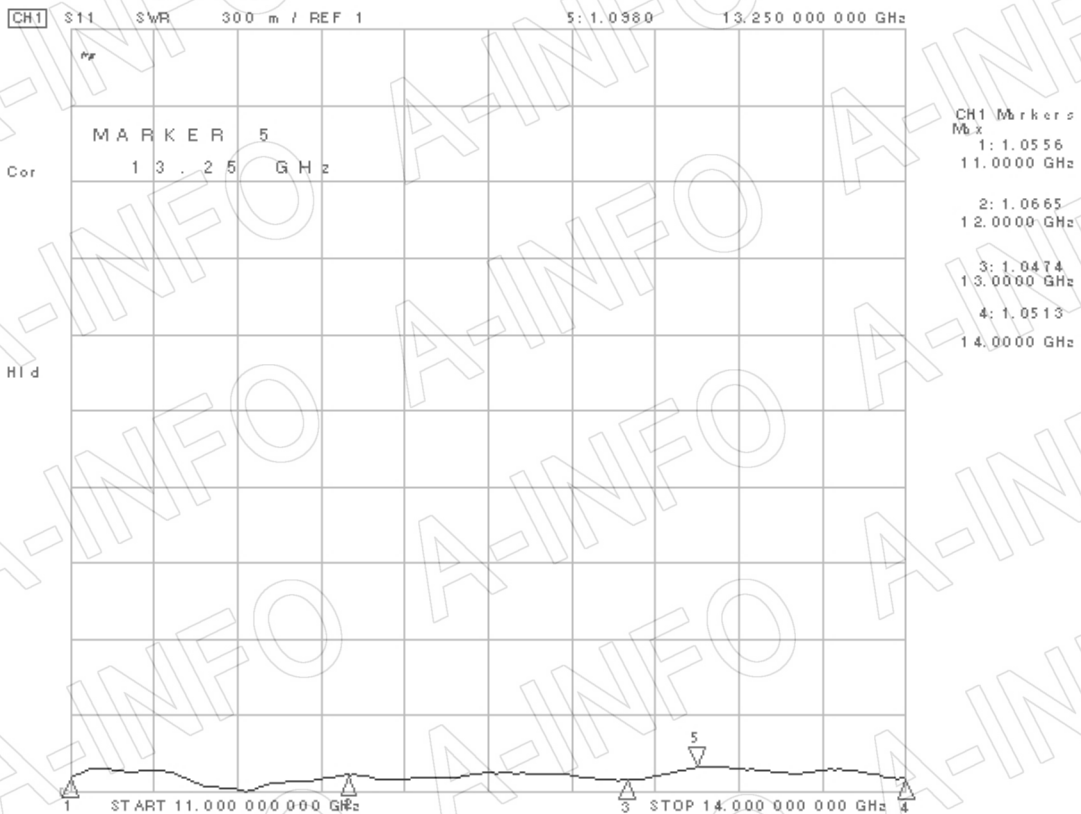
### 2. Axial Ratio



### 3. VSWR\_A Type



### VSWR\_C Type



## 4. Pattern

